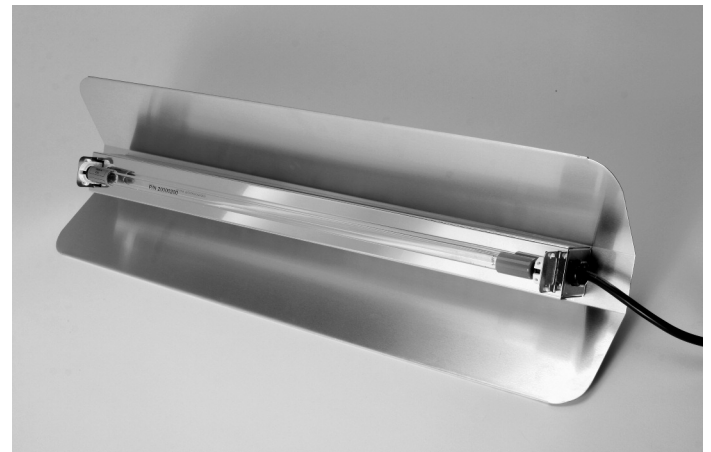




# SterilWand™ Hand-Held UVC Emitter™

Very High Output  
Portable Germicidal UVC



The SterilWand packages Steril-Aire's multi-patented UVC technology in a versatile, hand-held device designed for surface decontamination.

An aluminum safety shield prevents direct exposure to UVC output, while adding reflectance that increases the light's effectiveness.

SterilWand may be used in any type of residential, commercial, industrial or institutional building to provide a fast-acting, portable method of decontaminating tabletops, walls and other surfaces.

Steril-Aire offers a complete line of UVC solutions for air conditioning coils, drain pans, ductwork and other HVAC components.

## Applications

SterilWand applications include laboratories, hospitals, food and beverage processing areas, schools, libraries and homes. The device is suitable for a variety of specialized uses:

- Commercial, institutional and residential mold remediation (as a supplement to other control strategies)
- Food processing, storage rooms, packaging stations
- Hospitals, clinics, laboratories and cleanrooms
- Libraries (mold on books)

## Benefits

- Uses germicidal UVC irradiation proven as an effective inactivation method for mold, bacteria and viruses.
- Delivers 99.9+% surface microbial "kill" rates.
- USDA and FDA approval for surface decontamination.
- Portable, versatile and easy to use.
- Available in a sleeved Emitter configuration for shatter-resistant and moisture-resistant protection.
- Proven through independent testing to provide the highest output of any UVC device on the market.
- Energy efficient – uses approximately the same energy as a 75-watt light bulb.
- Uses patented state-of-the-art solid-state electronic power supply for enhanced reliability and performance.
- Produces no ozone or other secondary contaminants.
- Long service life – typically 9000 hours between changeouts.

# SterilWand™ Specifications

**The SterilWand** shall be factory assembled and tested. It shall consist of a fixture, power supply, reflector, safety shield, six-foot power cord, easy-to-grip handle, Emitter sockets and a 24" sleeved or unsleeved Emitter.

**The fixture** shall be constructed of 304 stainless steel. The reflector shall be constructed of heavy gauge, specular finished aluminum alloy with approximately 85% reflectance at 253.7 nm wavelength. The safety shield shall be constructed with highly polished, heavy gauge aluminum to enhance the reflectance of the UVC energy. The six-foot power cord shall be UV-resistant. All components shall be in one integral assembly.

**The power supply** shall be a Class P, electronic, rapid start type with a power factor greater than 0.98 and a power conversion of greater than 90%. The power supply design shall include RF and EMI suppression. The power supply shall be designed to maximize photon production, irradiance. The fixture shall be available in 120 V and 230 V, 50/60 Hertz, single phase.

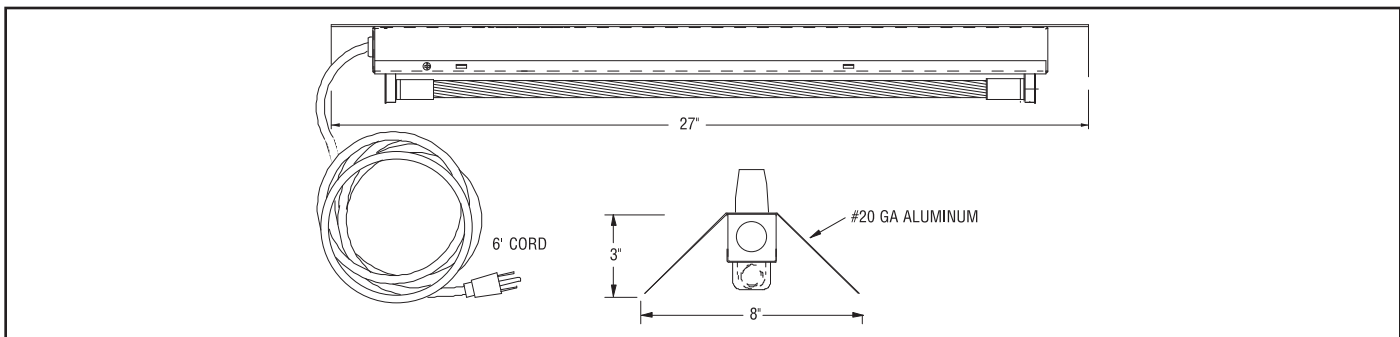
**The Emitter sockets** are medium bi-pin, double click safety, twist lock type. They shall be constructed of UVC-resistant polycarbonate.

**The Emitter** shall be a very high output, hot cathode, T5 diameter, medium bi-pin type that produces germicidal UVC of 253.7 nm. It shall produce no ozone or other secondary contaminants. The Emitter shall be available in sleeved or unsleeved configurations.

**Tripod Configurations:** For short term spot cleaning, SterilWand is available in a configuration that includes a tripod. This configuration features a quick-attach and release plate from SterilWand, extendable legs, rubber feet and tilting head. This lightweight (1.54 lb.) tripod stands 53" tall fully extended and folds to 20.9" with a nylon case for easy storage.

**Independent testing:** The UVC Emitter shall be tested by an independent test laboratory and shall be verified to provide output per one inch arc length of not less than 9 μW/cm<sup>2</sup> at 1 meter in a 400 fpm airstream of 50° F.

The manufacturer shall be an ISO 9001:2008 certified facility.



*This product may be covered by one or more of the following patents, others pending: 5,334,347 / 5,817,276 / 5,866,076 / 6,245,293 / 6,267,924 / 6,280,686 / 6,313,470 / 6,372,186 / 6,423,882 / 6,500,267 / 6,589,476 / 6,627,000 / 6,997,578 / 7,140,749 / 7,282,728 / 7,459,694.*

## Ordering Information

Model No.	Part No.	Description	Length	Electrical	Wattage
DE 241	19000200	SterilWand with Emitter	24"	120 V	72 W
DE 241	19000208	SterilWand with Emitter	24"	230 V	72 W
DE 241	19000220	SterilWand with sleeved Emitter	24"	120 V	72 W
DE 241	19000228	SterilWand with sleeved Emitter	24"	230 V	72 W
DE 241	19000400	SterilWand with Emitter & tripod stand	24"	120V	72 W
DE 241	19000420	SterilWand with Emitter & tripod stand	24"	230V	72 W
GTD 22 VO	20000200	UVC Emitter	22"		72 W
GTD 22 VO	20000201	UVC sleeved Emitter	22"		72 W

# STERIL-AIRE®

**Steril-Aire, Inc.**

**Corporate Office:**

2840 N. Lima Street  
 Burbank, CA 91504  
 Telephone: 818-565-1128  
 Fax: 818-565-1129

Website: [www.steril-aire.com](http://www.steril-aire.com)  
 Email: [sales@steril-aire.com](mailto:sales@steril-aire.com)



Complies with current U.S. and Canadian safety standards for use in HVAC equipment.



**STERIL-AIRE**  
Registered to ISO 9001:2008  
 Certificate Registration No. 10002118 QM08

Represented By: